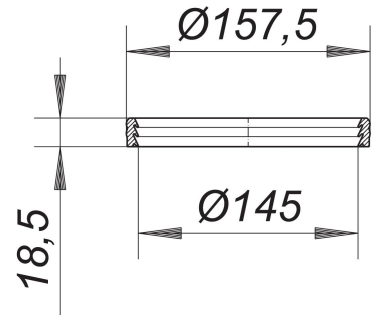


## back flow seal S 15

Part number: 590022  
GTIN: 4001636590022  
Rebate group: 3



### Description:

back flow seal S 15  
seals between grating and floor drain body  
For use with S 15 sealing kit or DallBit floor drain bodies S 15