

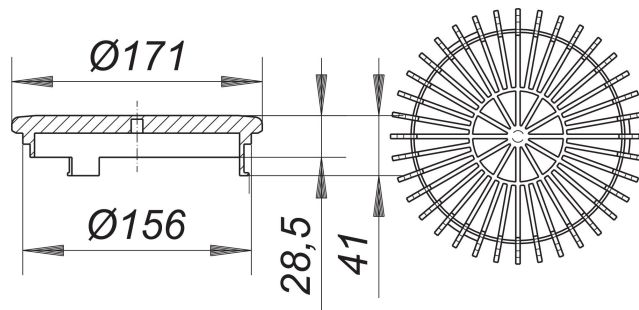
---

## flat grate S 15, d: 170 mm

---

Part number: 590183  
GTIN: 4001636590183  
Rebate group: 10

---



---

### Description:

flat grate S 15, d: 170 mm  
used with roof drain types 62, 64 and raising pieces type 630

material:  
polypropylene, UV-stabilized

Suitable for use in raised paved areas!