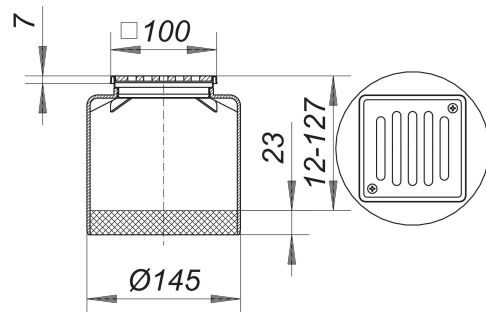


grating ECS 15, massive grate, secured, 100 x 100 mm

Part number: 500069
GTIN: 4001636500069
Rebate group: 3



Description:

grating ECS 15, massive grate, secured, 100 x 100 mm
used with floor drains type 54, 55, 57, 58, 61 and 61/1
spigot polypropylene, frame 304 stainless steel, 100 x 100 mm,
grate 5 mm 316L stainless steel, secured, load class L 15 (1.5 t)