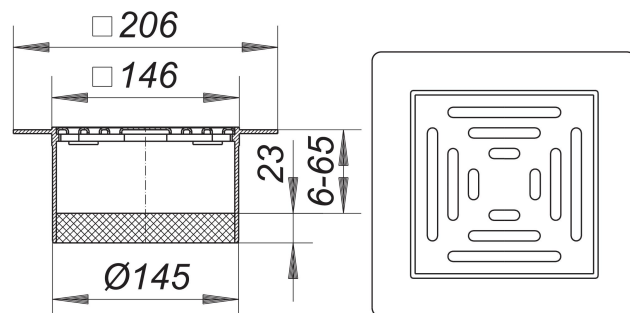

grating PVC-E 15, 150 x 150 mm

Part number: 500137
GTIN: 4001636500137
Rebate group: 3



Description:

grating PVC-E 15, 150 x 150 mm
used with floor drains type 54, 55, 57, 58, 61 and 61/1
specification with flange for securing flexible flooring
spigot PVC-U, frame PVC-U, 150 x 150 mm
grate 304 stainless steel, load class K 3 (300 kg)
Seal must be used.