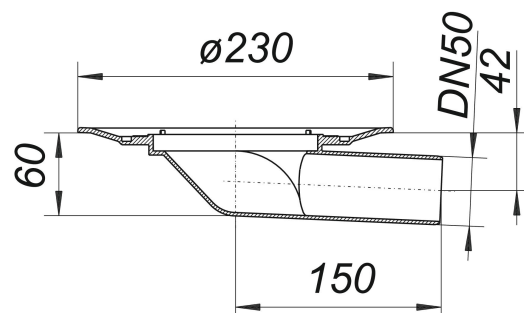


## balcony drain body type 83, DN 50

Part number: 830029  
 GTIN: 4001636830029  
 Rebate group: 3



### Description:

balcony drain body type 83, DN 50  
 conforming to DIN EN 1253

specification :

- side outlet, 3 degrees
- temporary blanking plate

material:

polypropylene, UV-stabilized

### Flow rates tested to DIN EN 1253:

Nominal diameter	Product standard	Min. flow rate according to norm	Water level according to norm
DN 50	DIN EN 1253	0.90 l/s	35.00 mm

### Spare parts:

830104 balcony drain type 83 E, DN 50, 100 x 1