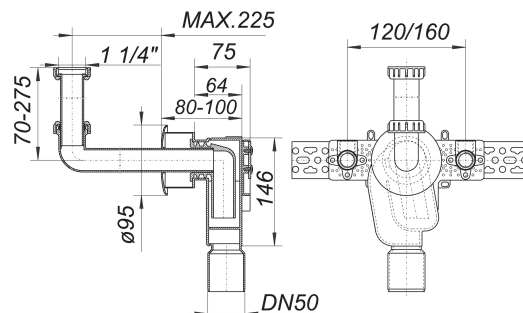


## concealed trap type 310 KS, 1 1/4" x DN 50

Part number: 130334

GTIN: 4001636130334

Rebate group: 1



### Description:

concealed trap type 310 KS, 1 1/4" x DN 50  
conforming to DIN 19541

specification:

- space saving built-in trap body
- sound-absorbing backing plate
- fixing bracket
- 2 brass elbows for water supply
- height adjustable inlet
- escutcheon
- removable trap insert

material:

trap in polypropylene

inlet white polypropylene, escutcheon white ABS

If installed with only sound insulated contact against the building structure, the requirements of all classes of sound proofing confirming to DIN 4109.10, table 1 and 2 are fulfilled.

### Spare parts:

143020 trap insert for 300, 310