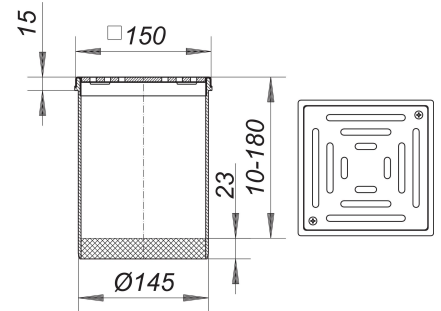


grating SES 15, massive grate, secured, 150 x 150 mm

Part number: 500120
GTIN: 4001636500120
Rebate group: 3



Description:

grating SES 15, massive grate, secured, 150 x 150 mm
used with floor drains type 54, 55, 57, 58, 61 and 61/1
spigot polypropylene, frame 304 stainless steel, 150 x 150 mm
grate 5 mm 316L stainless steel, secured, load class L 15 (1.5 t)