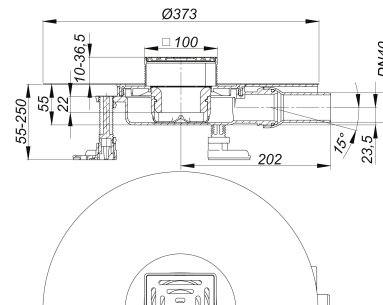
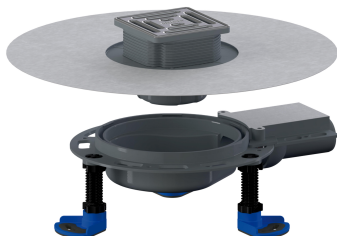


floor drain DallDrain Select Plan, DN 40, 100 x 100 mm

Part number: 517081
 GTIN: 4001636517081
 Rebate group: 6



Description:

floor drain DallDrain Select Plan, DN 40, 100 x 100 mm

Floor drain including grating DallDrain Select with stainless steel grate in stainless steel frame. Side outlet DN 40, with ball joint, adjustable from 0 – 15 degrees.

Specification

- Stainless steel grate and frame
- Integrated screed anchoring
- Flexible, click-in sealing sleeve for secure connection to bonded and sheet waterproofing conforming to DIN 18534
- Fully removable, two-piece trap insert and rodding eye, 22 mm water seal (deviating to DIN EN 1253)
- Temporary blanking plate
- Three sound-insulated mounting feet for fixing and height adjustment 55 – 250 mm
- Spigot can be shortened for floorings 10 – 36 mm (including adhesive)
- Screed reinforcement element for protection of the outlet

Material

Drain body and outlet polypropylene, highly impact-resistant; 1.4301 stainless steel grating, load class K 3 (300 kg); spigot in ABS, frame in 1.4301 stainless steel

Pre-assembled set consisting of parts no. 517265 + 517227 + 517340.

Grating with positioning aid laterally adjustable +/- 2.5 mm.

Can be used with sound insulation mat DallDrain (art. no. 517326) and

mounting aid DallDrain Plan (art. no. 517302).

Can be connected to British standard pipework with adaptor part No. 880734.

Flow rates tested to DIN EN 1253:

Nominal diameter	Product standard	Min. flow rate according to norm	Water level according to norm	Flow rate at water level 10 mm	Flow rate at water level 20 mm	Drainage capacity
DN 40	DIN EN 1253	0.40 l/s	20.00 mm	0.47 l/s	0.54 l/s	0.54 l/s

Spare parts:

517340 mounting feet DallDrain