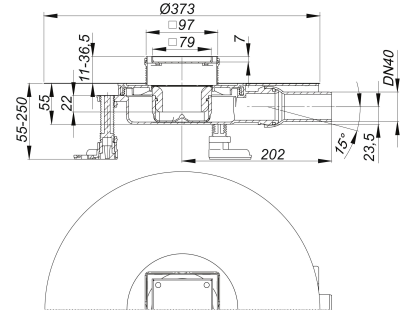


## floor drain DallDrain Individual Plan, DN 40, 100 x 100 mm

Part number: 517111  
 GTIN: 4001636517111  
 Rebate group: 6



### Description:

floor drain DallDrain Individual Plan, DN 40, 100 x 100 mm

Floor drain including grating DallDrain Individual with stainless steel grating frame for tiling with customers floor finish. Side outlet DN 40, with ball joint, adjustable from 0 – 15 degrees.

### Specification

- Stainless steel tile holder and frame
- Integrated screed anchoring
- Flexible, click-in sealing sleeve for secure connection to bonded and sheet waterproofing conforming to DIN 18534
- Fully removable, two-piece trap insert and rodding eye, 22 mm water seal (deviating to DIN EN 1253)
- Temporary blanking plate
- Three sound-insulated mounting feet for fixing and height adjustment 55 – 250 mm
- Spigot can be shortened for floorings 10 – 36 mm (including adhesive)
- Screed reinforcement element for protection of the outlet

### Material

Drain body and outlet polypropylene, highly impact-resistant; 1.4301 stainless steel tile holder; spigot in ABS, frame in 1.4301 stainless steel  
 Pre-assembled set consisting of parts no. 517272 + 517227 + 517340.

Grating with positioning aid laterally adjustable +/- 3.5 mm.

Can be used with sound insulation mat DallDrain (part no. 517326) and

mounting aid DallDrain Plan (part no. 517302).

### Flow rates tested to DIN EN 1253:

Nominal diameter	Product standard	Min. flow rate according to norm	Water level according to norm	Flow rate at water level 10 mm	Flow rate at water level 20 mm
DN 40	DIN EN 1253	0.40 l/s	20.00 mm	0.46 l/s	0.52 l/s

### Spare parts:

517272 grating DallDrain Individual, 100 x 100

517340 mounting feet DallDrain

517364 trap insert DallDrain Plan

517197 sealing sleeve DallDrain