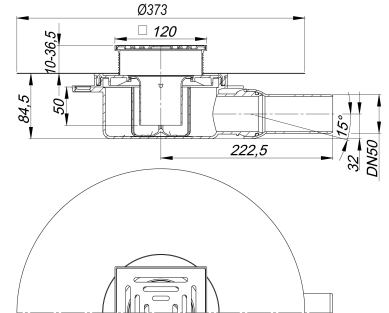


floor drain DallDrain Pure OM, DN 50, 120 x 120 mm

Part number: 517562
 GTIN: 4001636517562
 Rebate group: 6



Description:

floor drain DallDrain Pure OM, DN 50, 120 x 120 mm
 conforming to DIN EN 1253

Floor drain including grating DallDrain Pure with stainless steel grate in plastic frame.
 Side outlet DN 50, with ball joint, adjustable from 0 – 15 degrees.

Specification

- Stainless steel grate, plastic frame
- Integrated screed anchoring
- Flexible, click-in sealing sleeve for secure connection to bonded and sheet waterproofing conforming to DIN 18534
- Fully removable, two-piece trap insert and rodding eye, 50 mm water seal (conforming to DIN EN 1253)
- Temporary blanking plate
- Spigot can be shortened for floorings 10 – 36 mm (including adhesive)

Material

Drain body and outlet polypropylene, highly impact-resistant;
 1.4301 stainless steel grate, load class K 3 (300 kg); spigot and frame in ABS
 Pre-assembled set consisting of parts no. 517289 + 517210.

Grating with positioning aid laterally adjustable +/- 9.5 mm.
 Can be used with sound insulation mat DallDrain (part no. 517326) and

mounting aid DallDrain (part no. 517319).

Flow rates tested to DIN EN 1253:

Nominal diameter	Product standard	Min. flow rate according to norm	Water level according to norm	Flow rate at water level 10 mm	Flow rate at water level 20 mm
DN 50	DIN EN 1253	0.80 l/s	20.00 mm	0.65 l/s	0.92 l/s

Spare parts:

517289 grating DallDrain Pure, 120 x 120 mm

517197 sealing sleeve DallDrain

517357 trap insert DallDrain