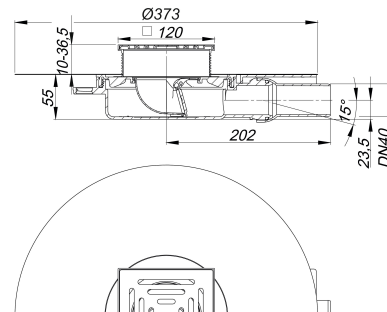
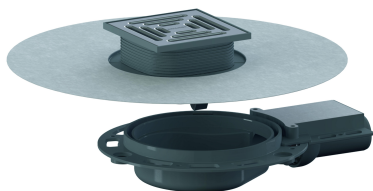


floor drain DallDrain Pure Plan OM, DN 40, 120 x 120 mm

Part number: 517609

GTIN: 4001636517609

Rebate group: 6



Description:

floor drain DallDrain Pure Plan OM, DN 40, 120 x 120 mm

Floor drain including grating DallDrain Pure with stainless steel grate in plastic frame.

Side outlet DN 40, with ball joint, adjustable from 0 – 15 degrees.

Specification

- Stainless steel grate, plastic frame
- Integrated screed anchoring
- Flexible, click-in sealing sleeve for secure connection to bonded and sheet waterproofing conforming to DIN 18534
- Fully removable, two-piece trap insert and rodding eye, 22 mm water seal (deviating to DIN EN 1253)
- Temporary blanking plate
- Spigot can be shortened for floorings 10 – 36 mm (including adhesive)
- Screed reinforcement element for protection of the outlet

Material

Drain body and outlet polypropylene, highly impact-resistant; 1.4301 stainless steel grate, load class K 3 (300 kg); spigot and frame in ABS
Pre-assembled set consisting of parts no. 517289 + 517227.

Grating with positioning aid laterally adjustable +/- 9.5 mm.

Can be used with sound insulation mat DallDrain (part no. 517326) and

mounting aid DallDrain Plan (part no. 517302).

Flow rates tested to DIN EN 1253:

Nominal diameter	Product standard	Min. flow rate according to norm	Water level according to norm	Flow rate at water level 10 mm	Flow rate at water level 20 mm
DN 40	DIN EN 1253	0.40 l/s	20.00 mm	0.47 l/s	0.54 l/s

Spare parts:

517241 raising piece DallDrain

517289 grating DallDrain Pure, 120 x 120 mm

517302 mounting aid DallDrain Plan

517326 sound insulation mat DallDrain, 380 x 3

517333 hair sieve DallDrain

517340 mounting feet DallDrain

517364 trap insert DallDrain Plan

517197 sealing sleeve DallDrain