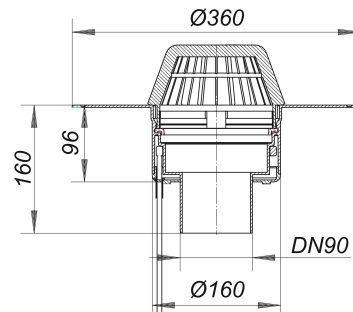


roof drain type 62 H FPO, heated, DN 90

Part number: 621023
 GTIN: 4001636621023
 Rebate group: 10



Description:

roof drain type 62 H FPO, heated, DN 90
 conforming to DIN EN 1253
 with extra wide flange for welding FPO-PP membranes directly or fixing PE vapour barriers

specification:

- insulated drain body
- outlet vertical
- domed grate

material:

polypropylene, UV-stabilized

H = roof drain heated version

Connect to 230 V supply, conforming to VDE 0721, Part 1/3.78

Power per drain: 15 watts

Current per drain: 0.06 amps

Suggested current per roof area: 16 amps

Flow rates tested to DIN EN 1253:

Nominal diameter	Outlet direction	Min. flow rate according to norm	Water level according to norm	Flow rate at water level 5 mm	Flow rate at water level 15 mm	Flow rate at water level 25 mm	Flow rate at water level 35 mm	Flow rate at water level 45 mm	Flow rate at water level 55 mm	Flow rate at water level 65 mm	Flow rate at water level 75 mm
DN 90	4.50 l/s	35.00 mm	0.65 l/s	2.50 l/s	5.00 l/s	7.90 l/s	11.50 l/s	15.30 l/s	19.40 l/s	22.10 l/s	