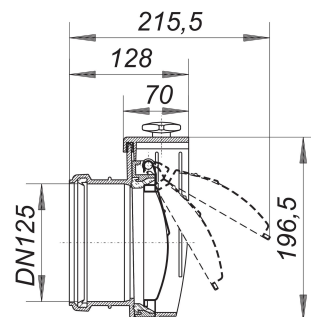


flap-valve, DN 125

Part number: 660381
GTIN: 4001636660381
Rebate group: 3



Description:

flap-valve, DN 125

specification:

- stainless steel flap
- stainless steel pivots
- ring-seal socket connects to plastic pipework

material:

ABS

Flap-valves allow free drainage, for example to a manhole, whilst preventing ingress of debris or vermin.

Spare parts:

664020 wing nuts for Stausafe (4 pieces), M 8

664419 flap type 2000 for Stausafe, DN 100/DN