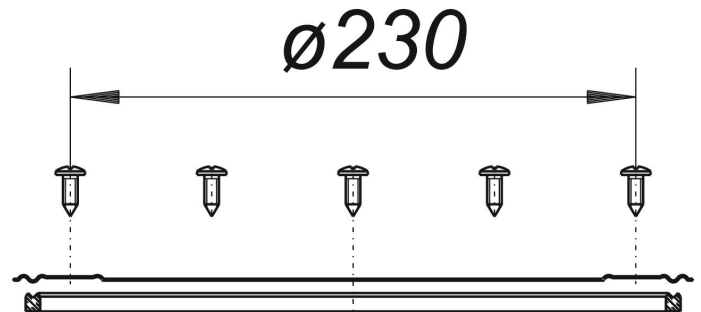


clamp ring DG 15

Part number: 864956
GTIN: 4001636864956
Rebate group: 3



Description:

clamp ring DG 15
stainless steel used with yard drain types 615 and 616

specification:

- stainless steel screws
- gasket